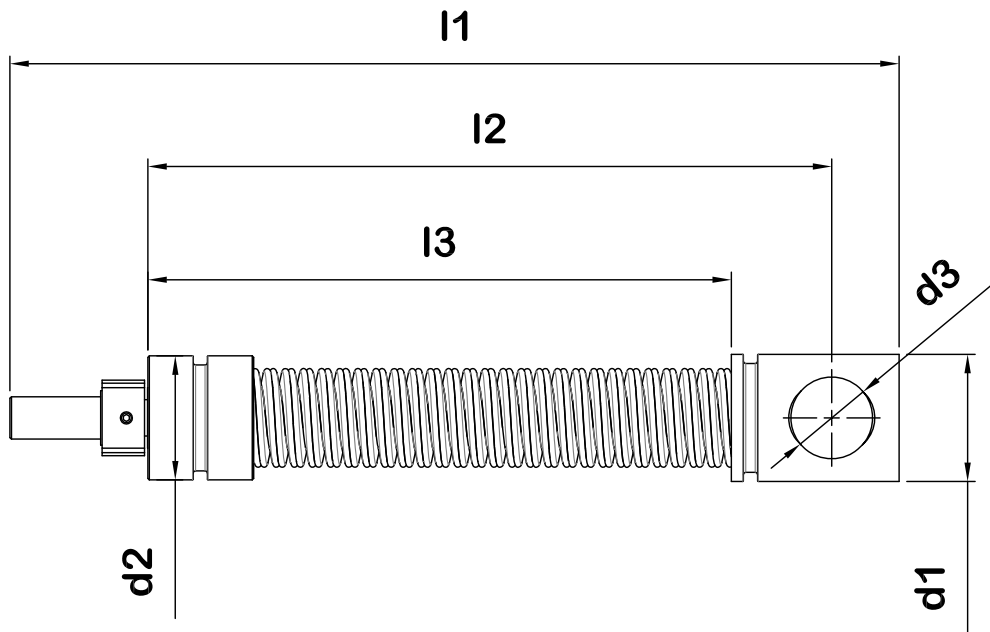





Inquiry-No. (需求编号)	Customer (客户名称)	City (所在城市)	MC-type (机器形式)	Spindle-type /Clamping (主轴/夹爪形式)
Incoming Date of Inquiry (访查日期)	Sales Company (销售公司)	Sales (销售人员)	Yield (产量)	Yield (产量)



Application:

T°= _____ °C **l1 = _____ mm** **d1 = _____ mm**
n = _____ rpm **l2 = _____ mm** **d2 = _____ mm**
F1= _____ N **l3 = _____ mm** **d3 = _____ mm**

DIN 7168(mm)	SeFko®  Spring	CONTACT	http://www.sefko.biz					
6 ±0.05		TITLE	High speed drawbar for milling machine					
6~30 ±0.07								
30~120 ±0.1		DWN.	REC.	APP.	DWG NO.	FR0011	REV	0
120~400 ±0.2		Amber						
400~1000 ±0.3	